

# Circular Sight Glass Fittings PN 6 / 10 / 16

Type KL 513

to be welded into or onto vessel walls

**Pressure rating:**  
6 / 10 / 16 bar

**Base flange:**  
1.4404 / 1.4571 / 1.4435 / 1.4462 / ST37 / H2  
on demand with APZ DIN EN 10204-3.1

**Cover flange:**  
1.4301 / 1.4404 / ST37 / H2

**Sightglass disc:**  
borosilicate glass DIN 7080 (up to 243°C)  
on demand with wipers up to size 150 and up to 6 Bar

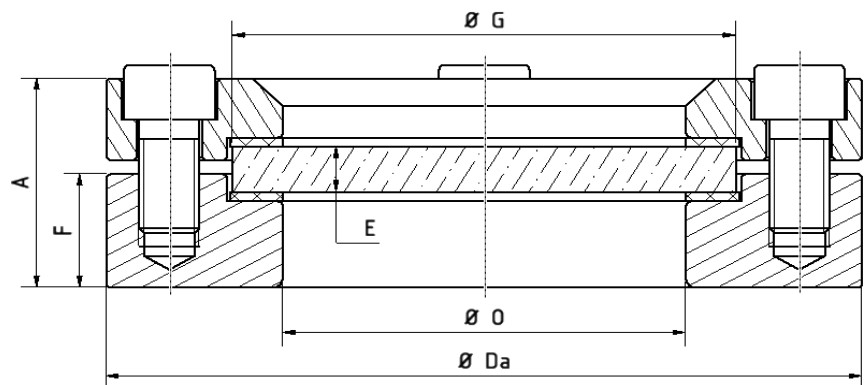
**Bolts:**  
cyl. bolts DIN 912 A2-70 or A4-70 - recessed

**Seals (FDA compliant):**  
EPDM, Reinz AFM 34, PTFE  
others on request

**Ordering example:**  
5 Circular Sight Glass Fittings  
Type KL 513 size 80 PN 6  
base flange: 1.4404  
cover flange: 1.4301  
seals: Reinz AFM 34



picture shows version with wipers



**Remark:**

Please check the seal area of the base flange after welding; adjust it if uneven

Size	Pressure rating (bar)	View Ø O (mm)	Base flange		Height A (mm)	Glass disc	
			Ø Da (mm)	F (mm)		Ø G (mm)	E (mm)
45	6	45	110	20	38	63	8
	10				40		10
	16				40		10
60	6	60	135	25	45	80	10
	10				47		12
	16				47		12
80	6	80	150	25	45	100	10
	10				47		12
	16				50		15
100	6	100	185	25	46	125	15
	10				46		15
	16				51		20
125	6	125	210	25	46	150	15
	10				51		20
	16				56		25
150	6	150	240	25	51	175	20
	10				*		*
	16				*		*
175	6	175	275	25	57	200	20
	10				*		*
	16				*		*

\* on request



**Manfred Kessler GmbH**  
Schauglasarmaturen  
Grienmatt 44  
D-79650 Schopfheim

**Tel.:** +49 (0) 7622 62343  
**Fax:** +49 (0) 7622 7197  
**E-mail:** info@kessler-sightglass.com  
www.kessler-sightglass.com