

Version with welding ends

Pressure rating:

6 / 10 / 16 bar
higher pressures on request

Body:

1.4404 / 1.4571 / 1.4435
on demand with APZ DIN 10204-3.1

Connecting Tubes ISO:

1.4404 / 1.4571 / 1.4435

Cover flanges:

1.4301

Bolts:

DIN 912 A2-70

Sightglass discs:

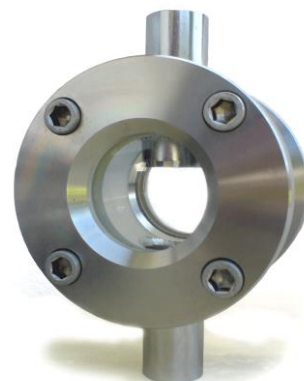
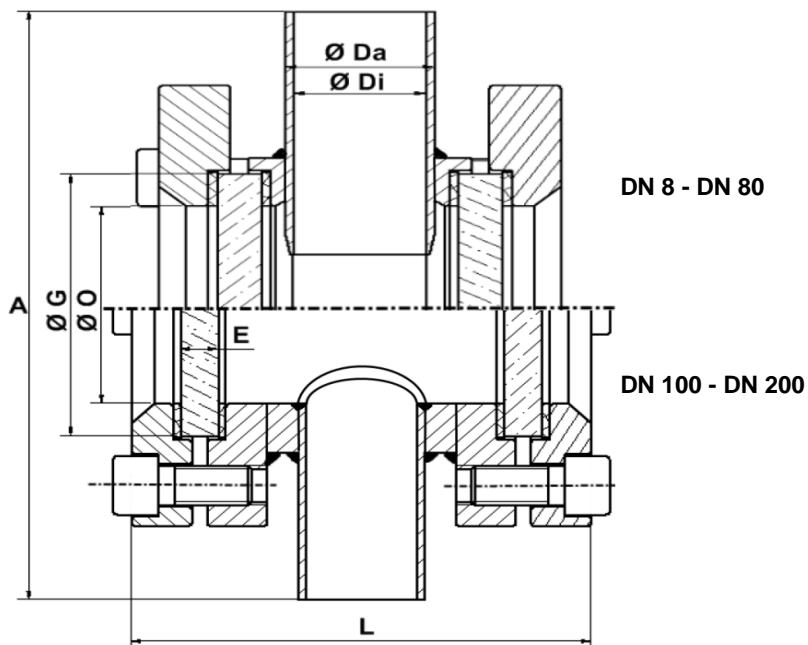
borosilicate glass DIN 7081 (up to 243°C)

Seals (FDA compliant):

EPDM, Reinz AFM 34, PTFE
others on request

Ordering excmple:

5 Sight Flow Indicators Type KL 113 DN 50
Body material: 1.4404
Cover flanges: 1.4301
Seals: EPDM



Size
DN 8 - DN 80

Size DN	Mounting Size				Ø G	Glass Discs			View Ø O	Bolts	
	Ø Da	Ø Di	L	A		PN 6 E	PN 10 E	PN 16 E		No.	Size
8	13,5	10,3	80	170	63	8	10	10	45	4	M10
10	17,2	14,0	80	184	63	8	10	10	45	4	M10
15	21,3	18,1	80	184	63	8	10	10	45	4	M10
20	26,9	23,7	90	180	63	8	10	10	45	4	M10
25	33,7	29,7	100	210	80	10	10	12	60	4	M12
32	42,4	38,4	110	206	80	10	10	12	60	4	M12
40	48,3	44,3	120	200	80	10	10	12	60	4	M12
50	60,3	55,1	130	185	100	10	12	15	80	4	M12
65	76,1	70,9	150	250	100	10	12	15	80	4	M12
80	88,9	83,7	170	266	125	15	15	20	100	4	M12
100	114,3	107,9	230	300	150	15	20	25	125	8	M12
125	139,7	133,3	260	350	175	20	20	25	150	8	M12
150	168,3	161,9	310	430	200	20	25	30	170	8	M16
200	219,1	212,7	370	550	250	25	30	-	225	8	M16



Manfred Kessler GmbH
Schauglasarmaturen
Grienmatt 44
D-79650 Schopfheim

Tel.: +49 (0) 7622 62343
Fax: +49 (0) 7622 7197
E-mail: info@kessler-sightglass.com
www.kessler-sightglass.com